



ELECTRIC WINE BOTTLE OPENER

USB RECHARGEABLE

USER MANUAL

Important Safety Information Inside!

Read all instructions before using.
Use only as directed.

- When using or recharging the electric wine opener keep your workspace clean and free from potential hazards.
- For indoor use only. Do not expose the electric wine opener or charging unit to rain or other extreme conditions.
- Never force the electric wine opener onto a bottle or attempt to increase the speed of the motor. The product will work best when it is operated at its intended speed.
- Do not touch or adjust the electric wine opener's motor or the corkscrew spiral. Only hold the electric wine opener by its outer housing and its indicated grip.
- Do not attempt to open bottles if the up/ down button is not working.
- Do not attempt to disassemble the electric wine opener or the recharging unit. It has no user serviceable parts.
- Always unplug the USB charging cable if you do not intend to use your wine opener for a long period.

OPERATING INSTRUCTIONS

CONNECTION AND USE

Before using your Electric Wine Opener for the first time, we recommend that you charge it for one hour. Please follow instructions for recharging below:

RECHARGING YOUR ELECTRIC WINE OPENER

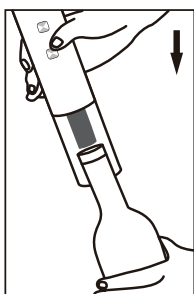
- Place your electric wine opener onto its stand and ensure that it is firmly in an upright position.
- Plug one end of the USB charging cable into the top cover of the wine opener and the other end into a USB Type A receptacle. Confirm that it is fully engaged with the recharging connections.
- When your corkscrew is in charging, the blue LED at the bottom of the wine opener will light up.
- When your wine opener is fully charged, it can be used

2) Place the wine opener on top of the wine bottle making sure that it is as upright as possible at all times.

If you hold the wine opener at an angle, it will not remove the cork properly. Hold the wine opener firmly and press the DOWN button.

The corkscrew spiral will turn in a clockwise direction and enter the cork, then gradually remove it from the bottle.

When the wine opener's motor has stopped, the cork has been fully removed from the bottle.



4) Return the Electric Wine Opener to its stand when not in use. The stand will help prevent the wine opener from accidentally tipping over. While the electric wine opener can be partially recharged after each use, periodically discharging the battery by using the wine opener until the motor slows down will maximize battery performance.

NOTE

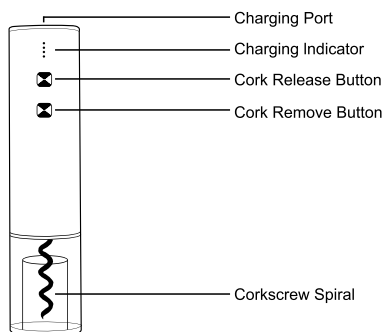
This electric wine opener may experience problems with a small percentage of plastic /synthetic and undersized corks. If this occurs, the cork should be removed manually.

IMPORTANT SAFEGUARDS

When using electrical appliances, basic safety precautions should always be followed including the following:

- This product is not a toy. Keep out of reach of children.
- Do not attempt to operate this electric wine opener if it malfunctions or is dropped and damaged in any manner.
- To protect against risk of electrical shock, do not put the electric wine opener in water or any other liquid. This may cause personal injury and/or flammable fumes.
- To protect against fire, do not operate the unit in the presence of hazardous materials and/or extreme temperatures.
- This product is intended for normal domestic household use only. Do not use the electric wine opener for anything other than for its intended use.

LEARNING ABOUT YOUR ELECTRIC WINE OPENER

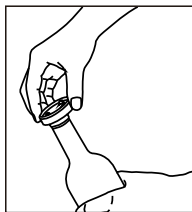


to open up to 60 bottles.

- When fully charged, the battery indicator on the top of wine opener will display 4 levels in full screen and it will stop flashing.

OPERATING YOUR ELECTRIC WINE OPENER

1) Before removing the cork, remove any foil from the bottle using the foil cutter provided.



3) Lift the wine opener away from the bottle. To remove the cork, simply depress the upper part of the button (UP button).

The spiral will turn in a counterclockwise direction and release the cork.



PARAMETERS

Product dimensions: 43 x 186 mm
Product weight: ~297g
Battery type: 500mAh Li-Ion
Battery life: ~60 bottles when fully charged
Input Voltage / Power: DC5V / 10W
Charging time: ~1 hour
Noise level: <55 dB